

# C-DIAS Memory Module

# CME 021

The CME 021 is a memory module, on which two compact flash card-readers are placed. Furthermore 2 LEDs show the access to the corresponding compact flash.



## Technical data

### Performance data

EE-Prom	Identification on the C-DIAS bus
---------	----------------------------------

### Electrical requirements

Supply of the C-DIAS bus	+5V
Current consumption on the C-DIAS bus (+5V)	Typically 40mA/ maximum 70mA
Status display	CF1 active -> LED1 CF2 active -> LED2

## Miscellaneous

Article number	12-005-021		
Module identification on the DIAS-Bus	Yes		
Module identification with EEPROM	\$00	Check sum	xx
	\$01	Identification	123
	\$02	Module group	22
	\$03	Variant	1
	\$04	Channels	2
	\$05	HW version	10
	\$10	Serial number	
Hardware version	2.x		
Standardization	UL (E247993)		

## Environmental conditions

Storage temperature	-20 – +85°C	
Operating temperature	0 – +60°C	
Humidity	0 – 95%, without condensation	
EMV stability	In accordance with EN 61000-6-2:2001 (industrial)	
Resistance to shocks	EN 60068-2-27	150m/s <sup>2</sup>
Protection type	EN 60529	IP 20

The EMV measurement takes place according to IEC801-2 and IEC801-4. The severity 3 corresponds to a typical industrial environment.

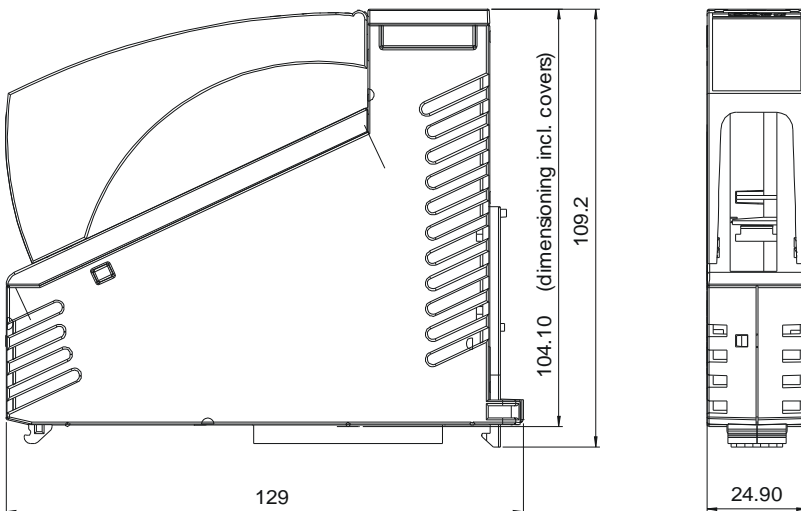
### ATTENTION!

At the module carriers CMB 022, CMB 042 and CMB 082 the 32 MHz clock frequency (CLK) is not provided anymore to the modules. This module requires the clock frequency up to HW version 2.0. A module with a HW version less than 2.0 is only functional with the module carriers CMB 021, CMB 041 and CMB 081!

### ATTENTION!

Les fonds de panier CMB 022, 042 et CMB 082 n'offrent pas la fréquence d'horloge de 32 MHz (CLK). Ce module nécessite la fréquence d'horloge de 32 MHz. Il fonctionne donc uniquement avec les fonds de panier CMB 021, 041 et CMB 081!

### Mechanical dimensions



## Connections

