

DI 205

S-DIAS Digital Input Module

Publisher: SIGMATEK GmbH & Co KG
A-5112 Lamprechtshausen
Tel.: +43/6274/4321
Fax : +43/6274/4321-18
Email: office@sigmatek.at
WWW.SIGMATEK-AUTOMATION.COM

Copyright © 2015
SIGMATEK GmbH & Co KG

Translation from German

All rights reserved. No part of this work may be reproduced, edited using an electronic system, duplicated or distributed in any form (print, photocopy, microfilm or in any other process) without the express permission.

We reserve the right to make changes in the content without notice. The SIGMATEK GmbH & Co KG is not responsible for technical or printing errors in the handbook and assumes no responsibility for damages that occur through use of this handbook.

S-DIAS Digital Input Module

DI 205

with 20 inputs

The S-DIAS digital input module DI 205 is equipped with 20 ground-switching inputs with a pull-up resistor to a +24 V signal. Each input can be connected to ground with a transistor or switch. An open switch corresponds to the signal condition "0", switches connected to ground correspond to the signal condition "1". Input filters are available to suppress noise signals occurring in the signal lines.



Contents

1	Technical Data	4
1.1	Digital Input Specifications.....	4
1.2	Electrical Requirements.....	4
1.3	Miscellaneous	6
1.4	Environmental Conditions.....	6
2	Mechanical Dimensions	7
3	Connector Layout.....	8
3.1	Status LEDs.....	8
3.2	Applicable Connectors.....	9
3.3	Label Field	10
4	Wiring.....	11
4.1	Wiring Example.....	11
4.2	Note.....	12
5	Mounting.....	13
6	Addressing.....	15
7	Supported Cycle Times	16
7.1	Cycle Times below 1 ms (in μ s).....	16
7.2	Cycle Times equal to or higher than 1 ms (in ms)	16
8	Hardware Class DI205	17

8.1	Interfaces	18
8.1.1	Clients.....	18
8.1.2	Servers.....	18
8.1.3	Communication Interfaces	19
8.2	Example	20

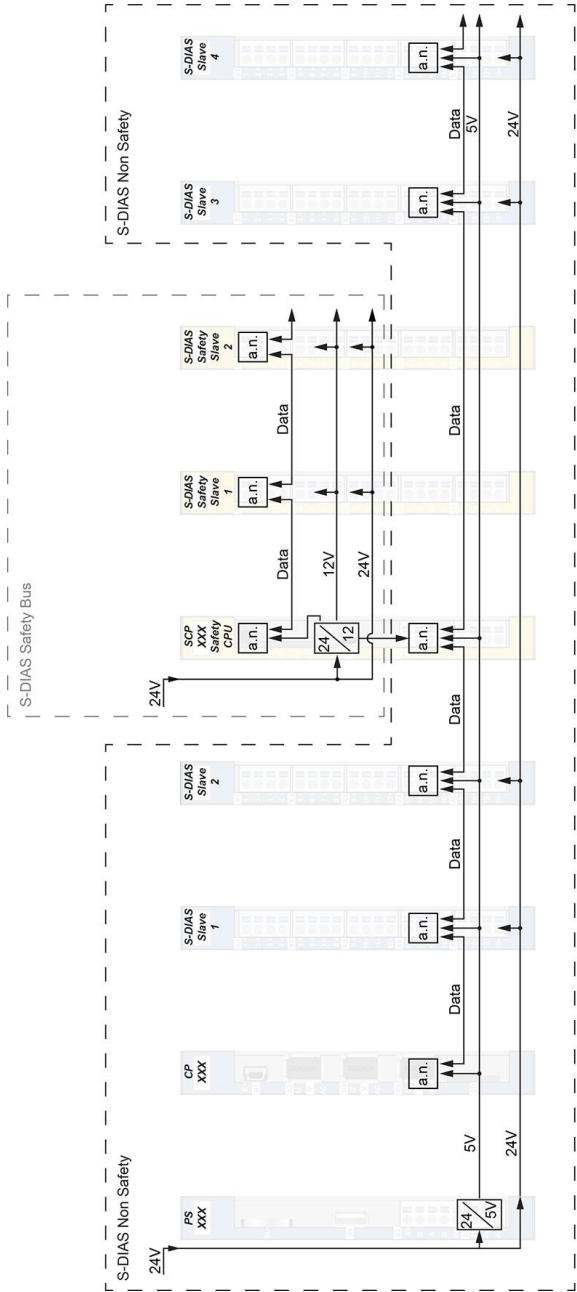
1 Technical Data

1.1 Digital Input Specifications

Number	20		
Input signal	GND switching		
Pull-up voltage	typically +24 V	maximum +30 V	
Collector current	typically 3 mA	maximum 4 mA	
Saturation voltage	maximum 1 V at 3 mA		
Residual current	maximum 200 μ A		
Input delay	typically 5 ms		
Status display	LED (green) lights when the input signal <1 V		

1.2 Electrical Requirements

Voltage supply from S-DIAS bus	+5 V		+24 V	
Current consumption on the S-Dias bus	typically 35 mA	maximum 50 mA	maximum 60 mA (at +24 V)	maximum 80 mA (at +30 V)



Wiring S-DIAS Safety in S-DIAS System

- each S-DIAS module is an active module (active node)
- Safety CPU is connected to the S-DIAS bus (incl. +5 V supply)
- Safety bus is independent and separated from the S-DIAS bus

a.n. = active node

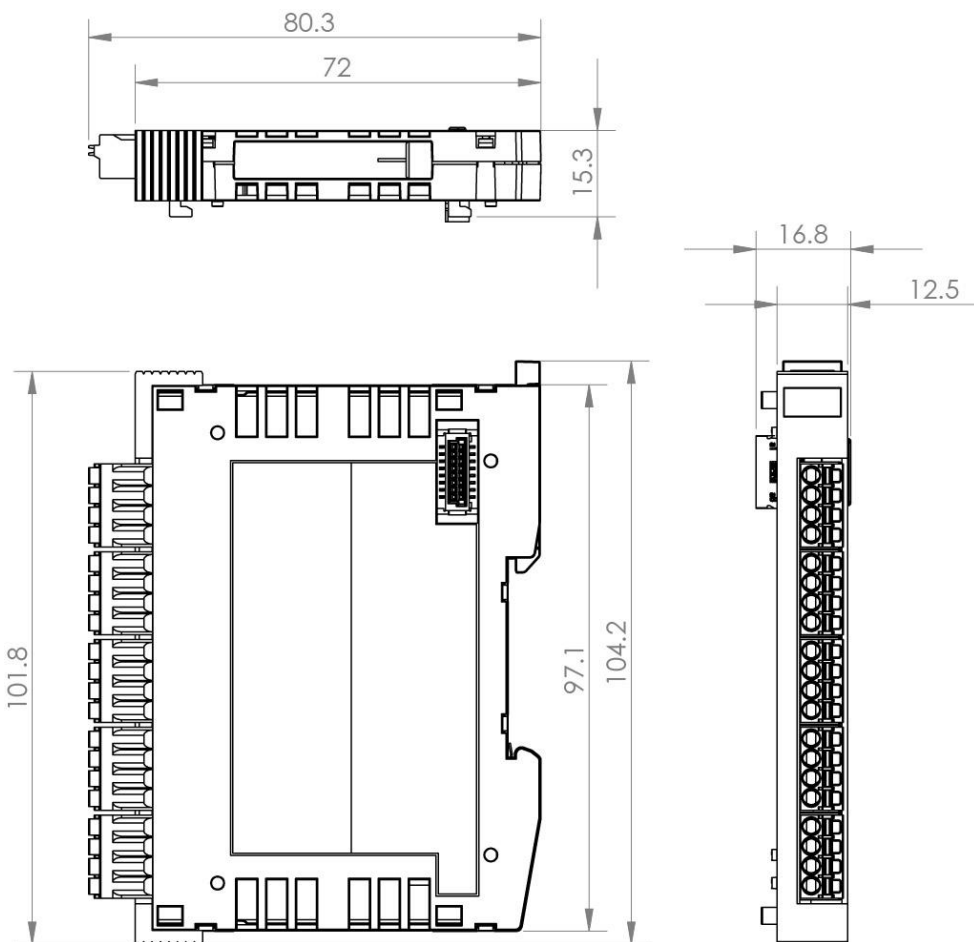
1.3 Miscellaneous

Article number	20-006-205
Hardware version	1.x
Standard	UL 508 (E247993)
Approbations	UL, cUL, CE

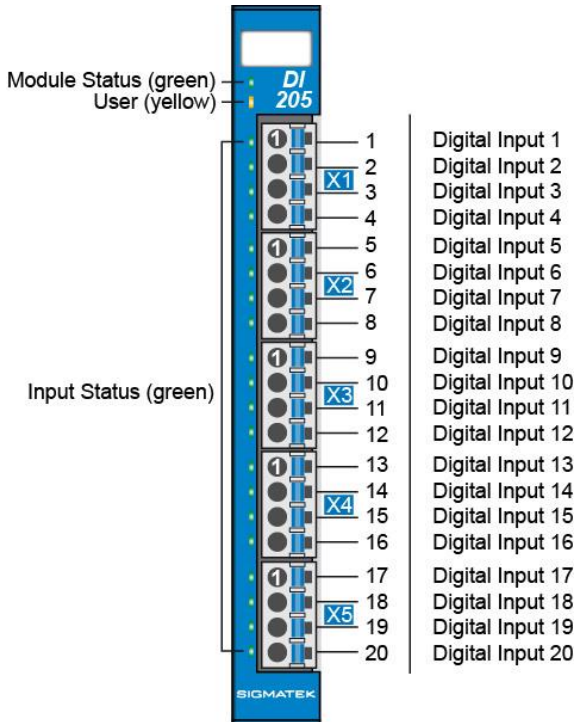
1.4 Environmental Conditions

Storage temperature	-20 ... +85 °C	
Environmental temperature	0 ... +60 °C	
Humidity	0-95 %, non-condensing	
Operating conditions	Pollution degree 2 altitude up to 2000 m	
EMC resistance	in accordance with EN 61000-6-2 (industrial area)	
EMC noise generation	in accordance with EN 61000-6-4 (industrial area)	
Vibration resistance	EN 60068-2-6	3.5 mm from 5-8.4 Hz 1g from 8.4-150 Hz
Shock resistance	EN 60068-2-27	15 g
Protection type	EN 60529	IP20

2 Mechanical Dimensions



3 Connector Layout



3.1 Status LEDs

Module Status	green	ON	module active
		OFF	no supply available
		BLINKING (5 Hz)	no communication
User	yellow	ON	can be set from the application
		OFF	(e.g. the module LED can be set to blinking through the visualization so that the module is easily found in the control cabinet)
		BLINKING (2 Hz)	
		BLINKING (4 Hz)	
Input Status	green	ON	input connected to ground (1)
		OFF	input open (0)

3.2 Applicable Connectors

Connectors:

Connectors with spring terminals (included in delivery)

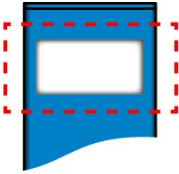
The spring terminals are suitable connecting ultrasonically compacted (ultrasonically welded) strands.

Connections:

Stripping length/Sleeve length:	10 mm
Plug-in direction:	parallel to conductor axis or to PCB
Conductor cross section, rigid:	0.2-1.5 mm ²
Conductor cross section, flexible:	0.2-1.5 mm ²
Conductor cross section, ultrasonically compacted:	0.2-1.5 mm ²
Conductor cross section AWG/kcmil:	24-16
Conductor cross section flexible, with ferrule without plastic sleeve:	0.25-1.5 mm ²
Conductor cross section flexible, with ferrule with plastic sleeve:	0.25-0.75 mm ² (ground for reducing d2 of the ferrule)



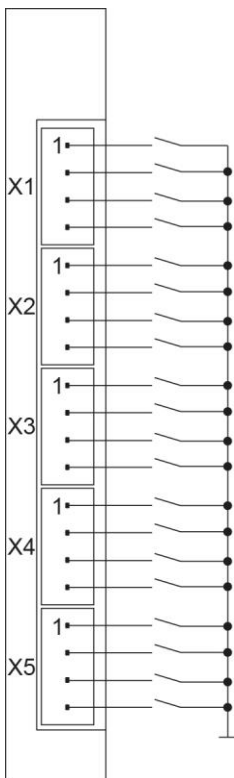
3.3 Label Field



Manufacturer	Weidmüller
Type	MF 10/5 CABUR MC NE WS
Weidmüller article number	1854510000
Compatible printer	Weidmüller
Type	Printjet Advanced 230V
Weidmüller article number	1324380000

4 Wiring

4.1 Wiring Example



4.2 Note

The input filters, which suppress noise signals, allow operation in harsh environmental conditions. A careful wiring method is also recommended to ensure error-free function.

The following guidelines should be observed:

- Avoid parallel connections between input lines and load-bearing circuits
- Protective circuits for all relays (RC networks or free-wheeling diodes)
- Correct wiring to ground

The ground bus should be connected to the control cabinet when possible!

Si possible la terre doit être connectée à l'armoire de commande!

IMPORTANT:

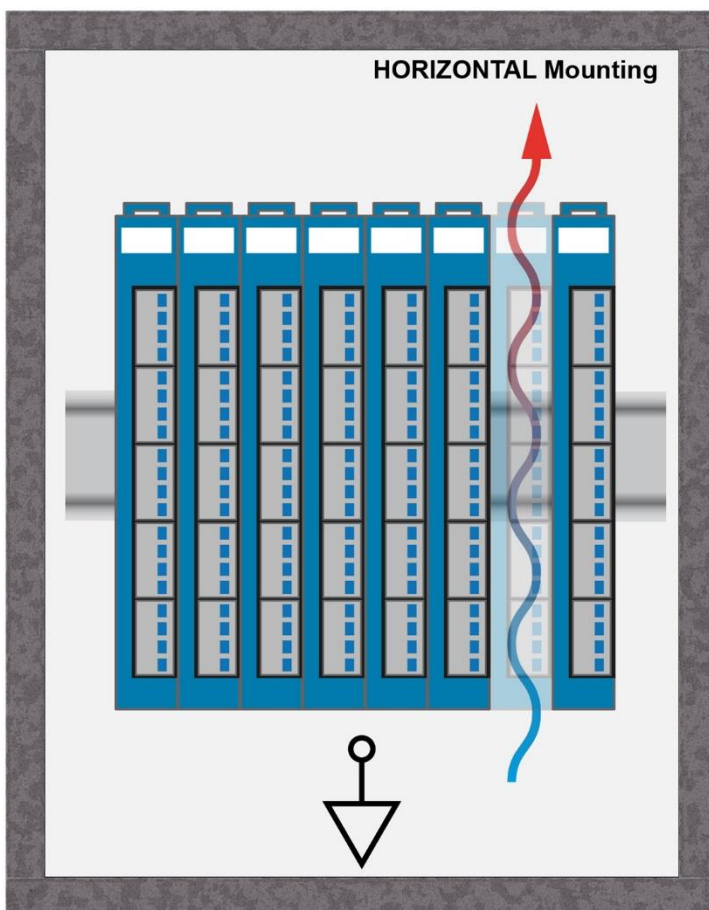
The S-DIAS module CANNOT be connected or disconnected while voltage is applied!

IMPORTANT:

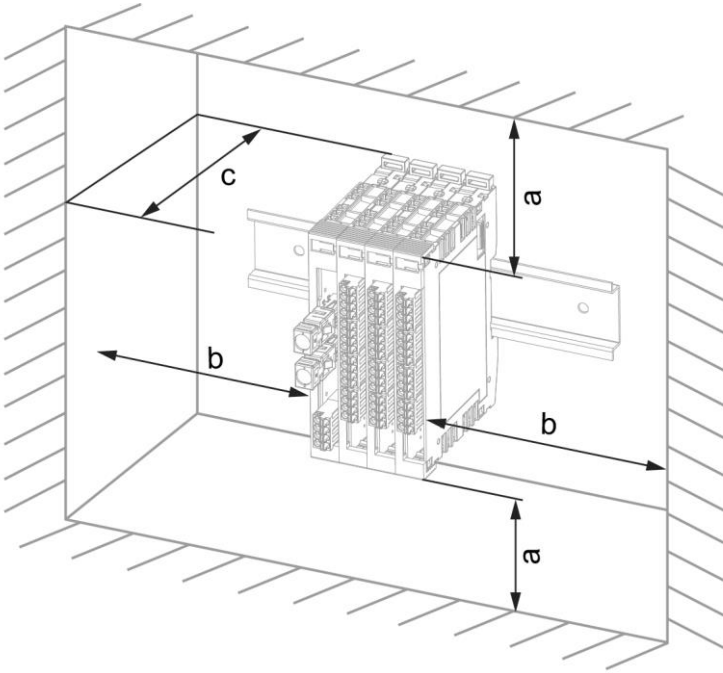
Le module S-Dias NE PEUT PAS être inséré ou retiré sous tension.

5 Mounting

The S-DIAS modules are designed for installation into the control cabinet. To mount the modules a DIN-rail is required. The DIN rail must establish a conductive connection with the back wall of the control cabinet. The individual S-DIAS modules are mounted on the DIN rail as a block and secured with latches. The functional ground connection from the module to the DIN rail is made via the grounding clamp on the back of the S-DIAS modules. The modules must be mounted horizontally (module label up) with sufficient clearance between the ventilation slots of the S-DIAS module blocks and nearby components and/or the control cabinet wall. This is necessary for optimal cooling and air circulation, so that proper function up to the maximum operating temperature is ensured.



Recommended minimum distances of the S-DIAS modules to the surrounding components or control cabinet wall:



a	b	c
30 mm (1.18")	30 mm (1.18")	100 mm (3.94")

a, b, c ... distances in mm (inches)

6 Addressing

Address (hex)	Size (bytes)	Access Type	Description	Reset value
Memory				
0000	4	r	Input Register Bit 0 Input 1 Bit 1 Input2 ... Bit 19 Input 20 Bit 20-31 reserved	000000

7 Supported Cycle Times

7.1 Cycle Times below 1 ms (in μs)

50	100	125	200	250	500
x	x	x	x	x	x

x= supported

7.2 Cycle Times equal to or higher than 1 ms (in ms)

1	2	3	4	5	6	7	8	9	10	11	12	13	14	15	16
x	x	x	x	x	x	x	x	x	x	x	x	x	x	x	x

x= supported

17	18	19	20	21	22	23	24	25	26	27	28	29	30	31	32
x	x	x	x	x	x	x	x	x	x	x	x	x	x	x	x

x= supported

8 Hardware Class DI205

Hardware Class DI205 for the S-DIAS DI205 digital input module

```
S DIAS:41, DI205 (DI2051)
S Class State (ClassState) <-[]->
S Device ID (DeviceID) <-[]->
S FPGA Version (FPGAVersion) <-[]->
S Hardware Version (HwVersion) <-[]->
S Serial Number (SerialNo) <-[]->
S Retry Counter (RetryCounter) <-[]->
O LED Control (LEDControl) <-[]->
----- Digital Inputs -----
I Digital Input 1 (Input1) <-[]->
I Digital Input 2 (Input2) <-[]->
I Digital Input 3 (Input3) <-[]->
I Digital Input 4 (Input4) <-[]->
I Digital Input 5 (Input5) <-[]->
I Digital Input 6 (Input6) <-[]->
I Digital Input 7 (Input7) <-[]->
I Digital Input 8 (Input8) <-[]->
I Digital Input 9 (Input9) <-[]->
I Digital Input 10 (Input10) <-[]->
I Digital Input 11 (Input11) <-[]->
I Digital Input 12 (Input12) <-[]->
I Digital Input 13 (Input13) <-[]->
I Digital Input 14 (Input14) <-[]->
I Digital Input 15 (Input15) <-[]->
I Digital Input 16 (Input16) <-[]->
I Digital Input 17 (Input17) <-[]->
I Digital Input 18 (Input18) <-[]->
I Digital Input 19 (Input19) <-[]->
I Digital Input 20 (Input20) <-[]->
I Inputs Double (InputDouble) <-[]->
ALARM:00, Empty
```

This hardware class is used to control the DI 205 hardware module with 20 digital outputs. More information on the hardware can be found in the module documentation.

8.1 Interfaces

8.1.1 Clients

SdiasIn	The client must be connected to an S-DIAS port, an "SdiasOut"_[x]" server.
Place	The physical location of the hardware module is entered in this client. Up to 64 modules, 0 to 63, can be assigned.
Required	This client is active by default, which means that the S-DIAS hardware module at this position is mandatory for the system and can under no circumstances be disconnected or return an error. Otherwise, the entire hardware deactivated. If the hardware module is missing or removed, an S-DIAS error is triggered. If his client is initialized with 0, the hardware module located in this position is not mandatory. This means that it doesn't have to be available or error-free. However, which components identified as "not required" should be selected with regard to the safety of the system.

8.1.2 Servers

ClassState	This server shows the actual status of the hardware class.								
DeviceID	The device ID of the hardware module is shown in this server.								
FPGAVersion	FPGA version of the module in 16#XY (e.g. 16#10 = version 1.0).								
SerialNo	The serial number of the hardware module is shown in this server.								
RetryCounter	This server increments when a transfer fails.								
LEDControl	With this server, the application LED of the S-DIAS module can be activated to find the module in the network more quickly. The following statuses are possible: <table border="1" data-bbox="400 868 1016 1002"> <tr> <td>0</td> <td>LED off</td> </tr> <tr> <td>1</td> <td>LED on</td> </tr> <tr> <td>2</td> <td>Blinks slowly</td> </tr> <tr> <td>3</td> <td>Blinks rapidly</td> </tr> </table>	0	LED off	1	LED on	2	Blinks slowly	3	Blinks rapidly
0	LED off								
1	LED on								
2	Blinks slowly								
3	Blinks rapidly								
Input[1-20]	Status of input 1-20								
InputDouble	In this server, the digital outputs are shown in a 32-bit field. Bits 0 to 19 are assigned to inputs 1 to 20 in this double word.								

8.1.3 Communication Interfaces

ALARM	Downlink	With this downlink the corresponding alarm class can be placed via the hardware editor.
--------------	----------	---

8.2 Example



Documentation Changes

Change date	Affected page(s)	Chapter	Note
30.01.2015	8	4.2 Note	Added note concerning connecting the S-DIAS module while voltage is applied
26.03.2015	7	3.2 Applicable Connectors	Added connections
21.01.2016	3	1.3	Miscellaneous
25.01.2016	3	1.2 Electrical Requirements	Graphic added
28.04.2016	12	5 Mounting	Graphics distances
17.08.2017	5 8	1.4 Environmental Conditions 3.2 Applicable Connectors	Pollution Degree Sleeve length added Added info regarding ultrasonically welded strands
18.10.2017	9 13	3.3 Label Field 5 Mounting	Added chapter Graphic replaced
14.11.2019	15	7 Supported Cycle Times	Chapter added
28.02.2020	15	7 Supported Cycle Times	Text adapted
08.09.2020	17	8 Hardware Class DI205	Chapter added
04.11.2020	13	5 Mounting	Expansion functional ground connection

