

USB Stick

2 GB SIGMATEK

Publisher: SIGMATEK GmbH & Co KG
A-5112 Lamprechtshausen
Tel.: +43/6274/4321
Fax: +43/6274/4321-18
Email: office@sigmatek.at
WWW.SIGMATEK-AUTOMATION.COM

Copyright © 2018
SIGMATEK GmbH & Co KG

Translation from German

All rights reserved. No part of this work may be reproduced, edited using an electronic system, duplicated or distributed in any form (print, photocopy, microfilm or in any other process) without the express permission.

We reserve the right to make changes in the content without notice. The SIGMATEK GmbH & Co KG is not responsible for technical or printing errors in the handbook and assumes no responsibility for damages that occur through use of this handbook.

USB Stick**2 GB SIGMATEK**

This USB stick has 2 GBytes and can used as an exchangeable storage medium.



Contents

1	Technical Data	3
1.1	Performance Data	3
1.2	Electrical Requirements	3
1.3	Environmental Conditions	4
1.4	Models.....	4
1.5	Miscellaneous	4
1.6	Contents of Delivery	4
2	Mechanical Dimensions	5

1 Technical Data

1.1 Performance Data

Storage medium	MLC Flash
Memory size	1.84 GB (1887 MB effective)
Interfaces	USB 2.0 (USB 1.1 compatible)
Formatting	FAT16
MTBF	MTBF: > 1.000.000 h
Tested operating systems	Linux, LASAL-OS, Windows *
Application examples	system diagnostics (e.g. transmitting log files) data transport from and to end device service update

*These operating systems were tested by SIGMATEK. It can be assumed however, that the USB stick works with all commercial operating systems.

Continuous writing /reading can shorten the lifespan of the USB stick.

1.2 Electrical Requirements

Supply voltage	minimum +4.5 V DC	typically +5 V DC	maximum +5.5 V
Current consumption (mA)	Idle mode		45 mA
	Standby		1.2 mA
	Reading		110 mA
	Write		110 mA

A power failure while writing to the stick, may cause inconsistent.

1.3 Environmental Conditions

Storage temperature	-55 ... +95 °C
Environmental temperature	0 ... +70 °C
Humidity	20-90 %, non-condensing
Vibration	maximum 6 g peak-peak

1.4 Models

Article number	Name	Hardware version	Note
12-620-203	SIGMATEK	HW:1.00	SIGMATEK standard variant

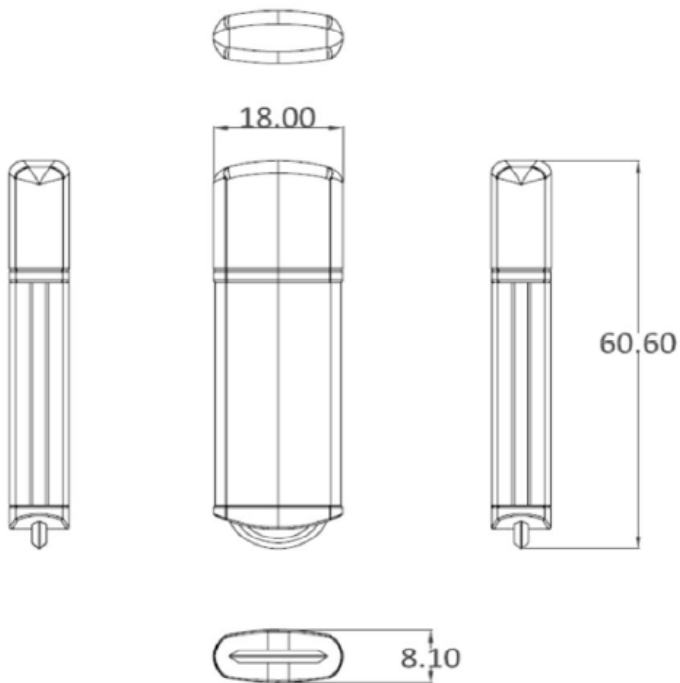
1.5 Miscellaneous

Connection	any USB Type A interface
Mechanical dimensions	18.00 x 8.10 x 60.60 mm (W x H x D)
Approvals	ROHS CE, FCC, REACH

1.6 Contents of Delivery

Contents of Delivery	1x USB stick 1x accessory cord 1x anti-static bag
----------------------	---

2 Mechanical Dimensions



Documentation Changes

Change date	Affected page(s)	Chapter	Note
22.03.2018	3	1.1 Performance Data	Memory size changed